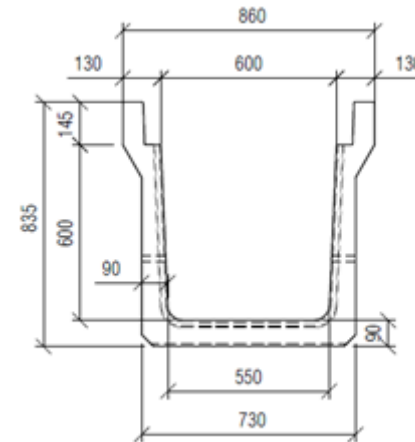
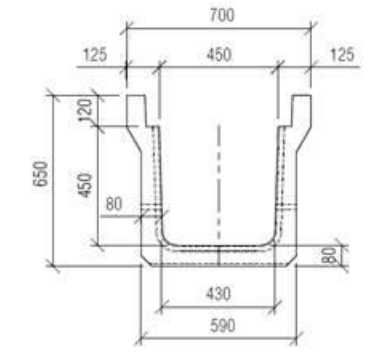
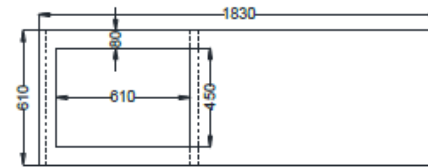


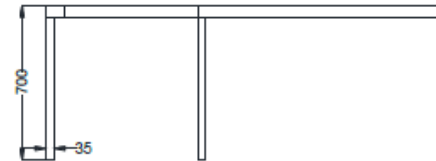
MO-TO – Storm Water Drains



MO-TO – Kitchen Counters



TOP VIEW



Feature	Specification
Size of Kitchen Slab	1830 mm x 610 mm x 40 mm
Size of Base Stands	700 mm x 600 mm x 35 mm
Weight of Unit	~ 75 kgs Top + ~ 28 kgs each base element
Material	Textile Reinforced Concrete
Grade of Concrete	M50
Textile Reinforcement	Tensile Strength (MD x CMD) 100 x 100 kN/m Tensile Elongation ≤ 4%
Finishes Available	Fair Faced Concrete, Granite texture, stone texture



MO-TO – Toilets

